



Monthly Newsletter
Pack 208

TROOP 208

providing Scouting in Swanton since 1923



Chartered by the Murbach-Siefert American Legion Post 479 in Swanton, OH

January 2019

Pictures of activities, forms, updated news at our website

www.swantonscouts.org



The Leaders of Pack 208 and Troop 208 wish everyone a very Merry Christmas & Happy New Year! Stay safe & please keep our military and emergency services people in your prayers for their safety while they can't be home.



2019 Pinewood Derby is almost here! Hopefully you're thinking about your cars!

There will be no Troop meeting during the Swanton Schools Christmas break Dec 25th & Jan 1st (2019)

January Campout

January 18th thru 20th is our scheduled January Campout. Start planning guys, meals, activities...

Winter Weekend @ Camp Miakonda

February 8th-10th, 2019 is the Swan Creek District Winter Weekend at Camp Miakonda.... The Theme is a Squatch-hunt this weekend... Bigfoot is the ultimate LNT GURU!

March 12th (or 26th) will be our Winter/Spring Court of Honor guys and Friends of Scouting presentation. Let's wrap up our advancements and other awards guys.

District Rules & Regulations are provided so parents can help guide their Scout in his efforts, the more the Scouts do to make their cars, the more fun they have and the more they will learn about wood working.

The Indiana Kentucky Ohio Regional Council of Carpenters Local #351 invite Scouts to join them for a Pinewood Derby Clinic on Saturday, January 5, 2019 Snow Date: January 12) 9am to 1pm and Woodcraft of Toledo are willing to help with a Clinic on Friday, January 11th (3pm to 8pm). Bring your design and kit and they'll help. see the attached flyer for more detail, etc

February 4th ~ Scout Sunday

A Scout is REVERENT. If you don't have a church that you regularly attend, you're always welcome to join either Mr Waterstradt (Swanton Alliance Church) or Mr Raven (St Richard's) for mass.

IF you're interested in working on any of the religious awards please see Mr Waterstradt or Mr Raven for information and help.

Spring Camporee @ Camp Miakonda

April 26th - 28th, 2018 is the Swan Creek District Spring Camporee. This will be at the University of Toledo.

April 27th - 29th is the District Spring Camporee

The theme is still in the planning stages

February 15th ~ Pack Meeting; pre-Pinewood Derby!!

We'll pass out awards, recognitions and check cars!

PSR - Summer Camp 2018

July 1st through July 7th

Nessle Campsite just past Ecology

Plenty of time to get ready for our current and future (the Webelos II) Boy Scouts to plan for a week of Camp.

For the parents of our Scouts - if your family needs some help to send your son to camp please let us know. There are discrete ways to help you and your son so he doesn't miss out on camp.



February 17th ~ Pack 208's Annual Pinewood Derby

We'll hold it at the EPIC Center on Main Street again. The schedule will be posted in January.

Please let Mr Raven know of any schedule issues

Cub Scouts... start your engines!

As we approach the fall and winter again, our leadership would like to remind all of our parents and volunteer leaders that "If Swanton Schools close due to weather, then our meeting that night will be cancelled."

A Sidelight on World War TWO ~ An act of Patriotism

Mary Babnick Brown was an American woman who donated her long blond hair to be used as crosshairs in Norden bombsights in WW II

Brown was a Coloradan; the children of Slovenian immigrants. She left elementary school at the age of 12, to help support her family as a servant for \$5/week. When she was 13, she lied about her age so that she could work at National Broom Factory for 75 cents a day, a job she held for 42 years. Her younger siblings pitched in by picking up chunks of coal that had fallen onto the railroad tracks. Brown's lone prized possession was her knee-length fine blonde hair.

In 1943, Brown saw an advertisement in a newspaper, searching for women with blonde hair of at least 22" length, that had never been treated with chemicals or hot irons. The military was offering to purchase such hair, to be used for meteorological instruments in the war

The "meteorological instruments" were actually crosshairs for Norden bombsights. The Army Air Forces (the predecessor to today's US Air Force) had tried various materials for the Norden bombsight, including black widow spider webbing, but nothing could withstand the temperature variations like fine blonde human hair that had never been treated with chemicals or heat.



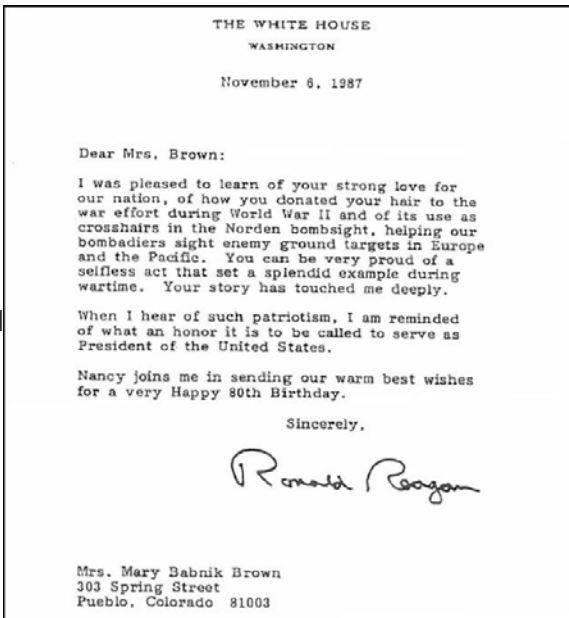
Brown in the 1940s

Brown sent off a sample of her 34" blonde hair to the government for analysis. After analyzing her hair, they agreed to purchase it, offering to pay her in war savings stamps. But Brown wouldn't accept payment for her hair. She saw it as her patriotic duty to help the war effort. She later recalled that she cried for months after cutting her hair.

A Norden bombsight and crosshairs:



It was decades before Brown learned the true use of her hair, and the effect of her sacrifice. In 1987, on her 80th birthday, she received a personal thank-you letter from President Ronald Reagan:



Brown's hometown of Pueblo, Colorado declared an official Mary Babnik Brown day, and she also received an award from the Colorado Aviation Historical Society.

Said Brown: "Here I am, an old lady of 83, and I'm still flying



Please keep them, along with our Emergency Responders, in mind so they may return home to their families too afterwards.

Upcoming Activities



Cub Scout Programs

Another year with Imagination Station providing great programs!

<http://imaginationstationtoledo.org/content/educators/scout-programs/>

Jan 6th, 2019 - Bears: Forensics

Jan 19th, 2019 - Wolf: Digging in the Past

Jan 20th, 2019 - Wolf: Digging in the Past

Feb 17th, 2019 - Bears: Lego Robotics (Ohhhh !)

Mar 3rd, 2019 ~ Webelos: Game Design

Mar 17th, 2019 - Webelos: Adventures in Science

Mar 24th, 2019 - Bears: Forensics

April 14th, 2019 - Wolf: Digging in the Past

Registration is open NOW - great den activities!

And a couple new programs this year too!

www.imaginationstationtoledo.org/workshops-camps/scout-workshops/cub-scouts-workshops

In the Spring ~ For Cub Scouts & their parent(s)

April 27th & 28th is the Mom & Me Campout

May 3rd & 4th is the Dad & Lad Campout

If you've never participated in either one of these, it's a great time to spend a day with your son and keep busy at Camp Miakonda... Details at:

<https://www.erieshorescouncil.org/momdad>



January 25th, 2019 - Boy Scout Sleepover

February 9th, 2019 - Boy Scout Sleepover

<http://www.toledowalleye.com/tickets/gameday-promotions>

Go to the specific date and click "TICKETS"

For Our Older Scouts ~ Merit Badges

December 29th there will be a Merit Badge event at Camp Miakonda - Registration is online if you're interested in a day event

<https://www.erieshorescouncil.org/MB-CM>

For our Webelos II (Arrow of Light Cub Scouts)

The Council is planning on an Arrow of Light Recognition event (3rd annual) tentatively May 4th in conjunction with Dad & Me in 2019

<https://www.erieshorescouncil.org/aoI>

Webelos I Overnight sessions @ Camp Miakonda

Camp Miakonda will offer an overnight session

July 6th & 7th, 2019

<https://www.erieshorescouncil.org/webover>

CUB SCOUT CAMPING DATES 2019

Mom & Me – April 27-28, 2019

Dad & Me – May 4-5, 2019

Cub Scout Day Camp:

- Week 1 – June 17-21
- Week 2 – June 24-28
- Week 3 – July 8-12
- Week 4 – July 15-19

Tiger Overnight – June 29-30

Webelos Overnight – July 6-7

WWW.ERESHORESCOUNCIL.ORG/CAMPING

the 2019 District Pinewood Derby...

Saturday March 9th, 2019

Springfield High School

Mr Raven will pass out information to all of our Cub Scouts (and their parents) who either win, come in 2nd or are declared the "Best Design" car for this event at our Pack Pinewood Derby.

I don't know about the Cub Scouts, but I do know the Pack Leaders look forward to the Pack's Pinewood Derby every year to admire the car designs. Good luck guys!

If any adults are interested in helping, we are always willing to talk, ask us!

January Historical & Current Events

January 4th

United States Supreme Court ruled that citizens of Puerto Rico were not aliens, 1904
United States F14 fighter jets shot down two Libyan fighters, 1989 (VF14 & VF32)



January 7th

The first presidential election was held, 1789

LEAGUE OF NATIONS



SOCIETE DES NATIONS

January 10th

Thomas Paine's *Common Sense* was published, 1776
The League of Nations established 1920

January 11th

Major League Baseball (American League) adopted the designated-hitter rule, 1973

January 12th

The Alamo, a Franciscan Mission, was built, 1722



January 14th

Congress ratified the Treaty of Paris formally, 1784

January 16th

United States Prohibition began, 1920
General Eisenhower took command of Allied Invasion Force in London, 1944

January 19th

First presidential news conference filmed for television with permission of President Eisenhower, 1955

January 20th

Pearl Harbor leased by the United States from Hawaii for naval station, 1887
Martin Luther King Day first observed, 1986



January 21st

First atomic submarine, the *Nautilus (SSN 571)*, was launched, 1954

January 22nd

Vietnam peace agreement signed by United States, North and South Vietnam, and the Vietcong, 1973
United States Supreme Court's *Roe vs. Wade* decision, 1973

January 23rd

USS *Pueblo* seized by North Koreans, 1968



January 24th

First Boy Scout troop organized in England by Robert Baden-Powell, 1908

January 27th

The Vietnam War ended, 1973



January 28th

First telephone exchange opened, 1878
Space Shuttle *Challenger* exploded, 1986



January 29th

Edgar Allan Poe's *The Raven* was published, 1845

January 31st

13th Amendment to the United States Constitution, abolishing slavery was submitted, 1865
General Robert E. Lee named general-in-chief of all Confederate armies, 1865

ERIE SHORES COUNCIL - SWAN CREEK DISTRICT PINWOOD DERBY RULES & GUIDELINES

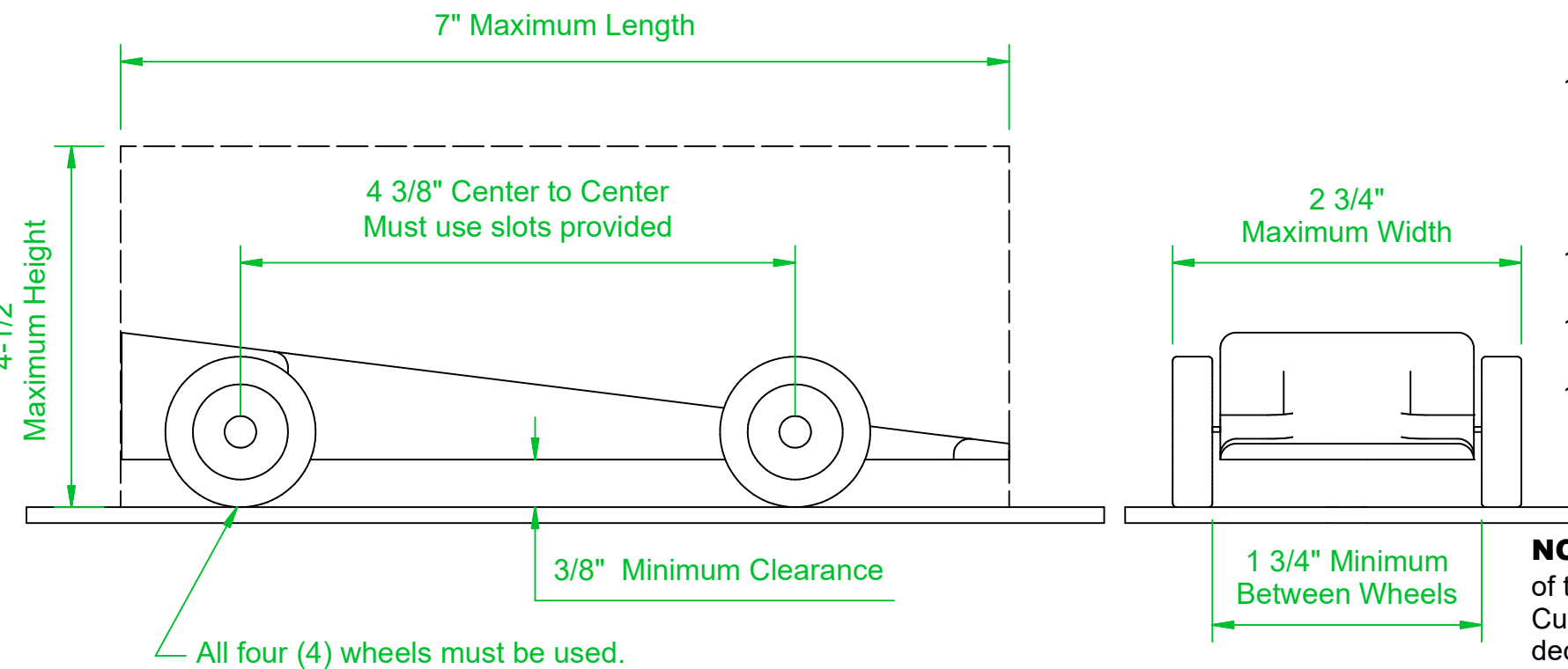
WHEELS: Wheels are not to be shaved or reduced in diameter or width. Sandpaper may be used to true the wheels, but the contour of the wheels may not be changed. Wheel bearings, washers and bushings are prohibited. Surface of the wheel must be flat. Some of the original surface must be evident and will appear as a bright spot on the surface. Slots provided in block must be used. No modified wheel bases allowed.

MATERIAL: The car shall be made only from the **material supplied from an official BSA Pinewood Derby kit.** This includes body, wheels and nails furnished in kits. Nails may be polished or turned down. Any replacement parts must be labeled "Official BSA" with proof of purchase and packaging available at race check-in.

DECORATION: Details such as steering wheel, driver, decals, painting and interior detail are permissible (and even encouraged) as long as the car does not exceed maximum allowable weight and dimensions. (Cars with wet paint will not be accepted.)

No part of the car may extend past the car side of the starting pin or line.

1. Each Cub Scout is to build a *complete new car* each year. No car or portion thereof, used in any previous year by a Cub Scout, shall be entered.
2. **WEIGHT:** Weight shall not exceed **5.00 oz.** No loose materials of any kind are permitted on the car. The car may be hollowed out and built up to maximum weight by the addition of wood or solid metal only, provided that it is **securely built into the body or chassis.** Liquids are considered loose material. Weights secured by tape will not be accepted.
3. **SPRINGING:** The car shall not ride on any type of springs.
4. **ATTACHMENTS:** The car must be free-wheeling with no starting device.
5. **LUBRICATION:** Lubrication is allowed only before inspection. No lubricant shall be permitted on exposed surfaces of wheels. No oil may be used, only powdered graphite or powdered Teflon.
6. **INSPECTION:** Each car must pass the Inspection Committee before it may compete. The Inspectors have the right to disqualify those cars which do not meet these specifications. The decision of the Committee Chairs or designee will be final.
7. Shepherds will guide drivers to the starting lines where the drivers will place their cars on the track. All persons not directly involved in the race must remain behind the barriers.
8. **BEST DESIGN:** At the District competition a car may enter either Best Design or Speed Race, not both.
9. If any car jumps the track more than two times in any one heat, it will automatically be disqualified for that heat.
10. Each pack may enter a total of twenty (24) cars, four (4) cars in each grade category: K, 1st, 2nd, 3rd, 4th and 5th grade. No more than two (2) cars may be entered in the race competition and two (2) cars may be entered in the design competition of each grade category. The winning cars may not be altered or rebuilt between the Pack and District races. Damaged cars may be put in original condition.
11. It is suggested that each Pack select a runner-up in each grade category to serve as an Alternate to the competition. Alternates should be chosen in case the winner or runner-up cannot participate on race day; however, there will be no alternate race due to time restrictions. Alternates should only attend if winners are unable to make race day.
12. To enter any race, the scout must be a registered member of the Boy Scouts of America at the time of their Pack derby.
13. On the day of the race, each Cub Scout will sign in, race their own car, and must be present to receive an award.
14. Decisions of any and all judges will be final.



NOTE: Please observe the spirit of the competition, which is for the Cub Scout *themselves* to enjoy building, decorating, and racing their car, using the basic material provided in the kits with adult assistance only as necessary.

2019 PINewood DERBY			
TITLE ERIE SHORES COUNCIL SWAN CREEK DISTRICT PINewood DERBY RULES & GUIDELINES			
SIZE B		DWG NO Pinewood Derby Car1.idw	REV 0
SCALE 3/4			SHEET 1 OF 1



BOY SCOUTS OF AMERICA®
ERIE SHORES COUNCIL
SWAN CREEK DISTRICT

2019 DISTRICT PINEWOOD DERBY

Saturday, March 9th 2019
Springfield H.S.

Registration Deadline
March 1st 2019

Volunteers
required!



Cost:
\$4 per scout
(\$96 per pack -
maximum)

Check website for
updated information
and registration details!
erishorescouncil.org/scpwd

Pinewood Derby Clinics sponsored by
Carpenters Local #351 – January 5th 2019 - 9 till Noon
Woodcraft of Toledo – January 11th 2019 – 3pm till 8pm

Questions? email: scpwd@bex.net

RACING TO
THE FINISH LINE!





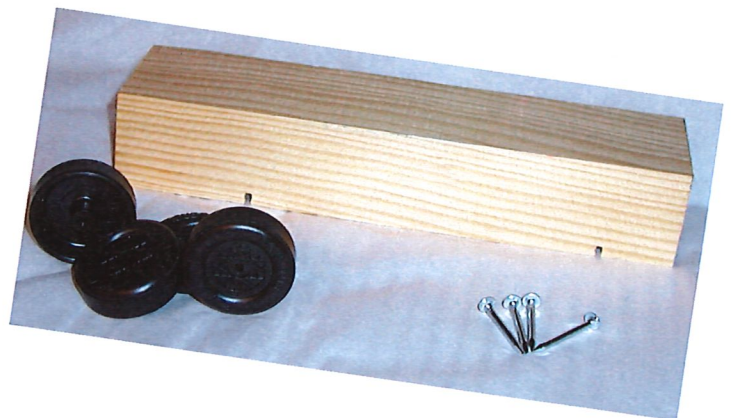
Pinewood Derby Clinic 2019

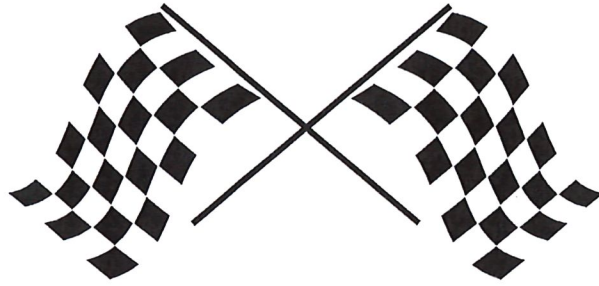


The Indiana Kentucky Ohio Regional Council of Carpenters Local #351 invite Scouts to join them for a Pinewood Derby Clinic on Saturday, January 5, 2019 from 9 a.m. to 1 p.m. at their Joint Apprentice Training Center, 9270 Bass Pro Blvd., Rossford. You must be in line no later than 12:30 p.m.! (Snow Date: January 12)

Bring your car kit and design; Carpenters from Local #351 will cut your car out. Sanding and finishing tools also will be made available!

To RSVP a spot for your Pack, please call 419-367-7569.





**Pinewood Derby
Clinic
Woodcraft of Toledo
Friday, January 11, 2019
5311 Airport Hwy, Toledo
3:00pm - 8:00pm**

Area Scouts can get a little help with their Pinewood Derby cars from the experts at **Woodcraft of Toledo**.

Scouts should bring their car kit and design to the store, where professional woodworkers will cut out their cars for them. We ask that you draw the design on your car and have it ready for cutting when you come in.

